

# SKID LOADERS

# GEHL®

R105 | R135 | R150 | R165 | R190 | R220 | R260 | V270 GEN:2 | V330 GEN:2 | V400





## DRIVEN TOWARDS EXCELLENCE

**GEHL IS CONTINUOUSLY STRIVING TO GO BEYOND MARKET EXPECTATIONS.**

Paired with performance features, ergonomics, a multitude of attachments and over 45 years of skid loader engineering, Gehl proudly offers ten skid loader models that fit the needs of every user.

### RADIAL-LIFT



### VERTICAL-LIFT



**IN 1859, AN AGRICULTURAL IMPLEMENT COMPANY, HOUSED IN A BLACKSMITH SHOP, WAS STARTED IN WEST BEND, WISCONSIN.** FROM THESE HUMBLE BEGINNINGS, THE GEHL BRAND HAS BECOME A MAJOR FORCE IN THE COMPACT EQUIPMENT INDUSTRY WORLDWIDE.

Since the beginning, Gehl has focused on providing solutions to our customer's needs by building quality, reliable products. With a long history of reliability and innovation, Gehl is responsive to the equipment and service needs of our customers.

With modern compact equipment manufacturing facilities in Yankton and Madison, South Dakota, and a state-of-the-art research and design facility in West Bend, Wisconsin, Gehl ensures that they are equipped with the finest in technology, tools and materials. And our top corps of engineers are skilled in designing and enhancing high-quality machines to fit the specific needs of our customers. Our equipment is modern in design and performance, but not too complicated to operate or service.

And when you purchase a piece of Gehl equipment, you have an entire organization behind you and your business. When you need support, whether it be financing, parts or service, know that Gehl will be there to provide an exceptional experience. We continually strive to preserve the level of personalized attention that Gehl began with in 1859.

OVER 45 YEARS OF EVOLUTION

**GEHL**

● RADIAL-LIFT and ● VERTICAL-LIFT

## TWO DESIGNS - ENDLESS POSSIBILITIES

● **RADIAL-LIFT DESIGN**

Offers enhanced performance in excavating, grading and digging below grade applications. Due to the radial lift path, the maximum reach is greater at the middle of the lift height.

● **POWerview® BOOM**

Low-profile boom design offers optimal side-to-side visibility.



● **DURABLE BUILD**  
4.5" (114 mm) wide lift arm construction delivers superior strength and rigidity.



● **EXCELLENT FORWARD REACH**

The Gehl radial-lift skid loaders provide excellent forward reach at the middle of the lift path. This provides excellent performance for loading flatbed trucks, backfilling or dumping over a wall.

● **VERTICAL-LIFT DESIGN**

Providing more reach at full lift height is optimal for applications that require loading and stacking at high heights. By keeping the load closer to the machine, lift capacities are increased over radial-lift models.

● **SINGLE-PLANE LIFT ARM**

Design features large diameter pivot pins aligned in a single plane for best-in-class vertical/lateral strength and rigidity.



● **CLEAR SIGHT LINES**  
Low-profile lift arm design provides outstanding forward and side visibility.



● **X-TYPE (V270 GEN:2/ V330 GEN:2)**

Upper-rear channel support welded to the top and between the load arms provides added rigidity without obstructing rear visibility.

● **TRUE VERTICAL**

The V400 has a true vertical lift path, while the V270 GEN:2 and V330 GEN:2 have a near vertical path.



● POWER and ● PERFORMANCE

## COMPACT AND MANEUVERABLE

● OPERATING CAPACITY

R105 1,050 lbs. (476 kg)

● TIER IV YANMAR ENGINE

34.2 hp (25.5 kW)  
81 ft.-lbs (109 Nm) of torque

LIFT HEIGHT

R105 108" (2731 mm)

SELF-LEVEL

This option keeps the bucket level throughout the raise/lift cycle.

LOW OVERALL HEIGHT

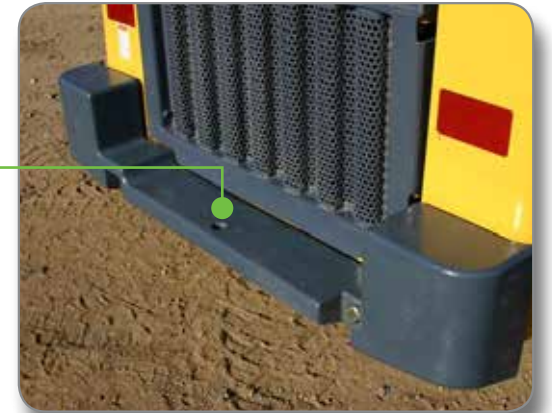
Gain access to low clearance sites and buildings with an overall height of 70.3" (1784 mm) on the R105.



● IDEAL FOR SMALL, CRAMPED WORK SPACES

● COUNTERWEIGHT / BUMPER

An optional counterweight on the R105 boosts the maximum capacity to 1,175 lbs. (533 kg) and adds additional rear protection.



EASY TRANSPORT

With an operating weight of only 4,200 lbs. (1905 kg), the R105 can be easily towed on a trailer behind a standard truck.



OPERATOR STATION

- Open Canopy
- Open Canopy with Door
- Enclosed Cab with Heat



NARROW WIDTH

A narrow wheel offset option provides a machine width of only 48" (1232 mm) allowing entry through a backyard gate.



● POWER and ● PERFORMANCE

COMPACT DESIGN & FULL POWER



● LIFT HEIGHT

R135	109.6" (2784 mm)
R150	119" (3023 mm)
R165	119" (3023 mm)

● EXPANSIVE VIEWS FROM THE CAB



● SELECTABLE SELF-LEVELING

This option keeps the bucket level throughout the raise/lift cycle and can be turned on and off by a switch in the cab.

● OPERATING CAPACITY

R135	1,350 lbs. (612 kg)
R150	1,500 lbs. (680 kg)
R165	1,650 lbs. (748 kg)

● DURABLE CYLINDERS

Induction-hardened, chrome-plated rods are used for lift and tilt cylinders, adding durability.

● TIER IV YANMAR ENGINES

Utilizing automatic regeneration and no fuel additives, these machines provide clean emissions with little to no input from the operator.

R135	46.3 hp (34.5 kW)	107.8 ft.-lbs (146 Nm)
R150	46.3 hp (34.5 kW)	107.8 ft.-lbs (146 Nm)
R165	69.9 hp (52 kW)	178 ft.-lbs (241 Nm)



● COUNTERWEIGHTS/BUMPER

Optional counterweights increase the maximum capacity for your operation and add additional rear protection.

R135	1,500 lbs. (680 kg)
R150	1,650 lbs. (748 kg)
R165	1,800 lbs. (816.5 kg)

● LEVEL II FOPS

Robust operator station provides added protection for the operator.

● DIGITAL COLOR DISPLAY

This information center shows real time fuel consumption, engine RPM's, machine hours, engine diagnostic codes, warning indicators and much more.



● AUTOMATIC DOME LIGHT

Available on the R135-R165

● LOW PROFILE LIFT ARM

New lift arm increases the width between cylinders for better entry and sight lines.

● HYDRAULICS

Standard flow rates deliver up to 18.9 gpm (71.4 L/min) on the R165. The R165 also offers high-flow auxiliary hydraulics as an option, with flows up to 25 gpm (94.6 L/min). Connect-under-pressure auxiliary hydraulic couplers are within reach at the forefront of the left lift arm.

● CAB-FORWARD DESIGN

Large front opening provides class-leading visibility.

● EASY-ENTRY CHASSIS

Getting in and out of the cab is easy with a lowered, non-slip step.



● POWER and ● PERFORMANCE

FULL POWER ON DEMAND



- OPERATING CAPACITY
- R190 1,900 lbs. (862 kg)
- R220 2,200 lbs. (998 kg)
- R260 2,600 lbs. (1179 kg)

- LEVEL II FOPS
- Robust operator station provides added protection for the operator.

- CAB-FORWARD DESIGN
- Large front opening provides class-leading visibility.

- RADIAL-PISTON DRIVE MOTORS
- High-torque motors with excellent tractive effort.

● LIFT HEIGHT

R190	120.5" (3061 mm)
R220	123" (3124 mm)
R260	123" (3124 mm)

- SELECTABLE SELF-LEVELING
- This option keeps the bucket level throughout the raise/lift cycle and can be turned on and off by a switch in the cab.



- COUNTERWEIGHTS/BUMPER
- Optional counterweights expand the possibilities of your operation and add additional rear protection.
- R190 2,110 lbs. (957 kg)
- R220 2,370 lbs. (1075 kg)
- R260 2,780 lbs. (1261 kg)

- TIER IV YANMAR ENGINES
- Utilizing automatic regeneration and no fuel additives, these machines provide clean emissions with little to no input from the operator.
- R190 69.3 hp (51.7 kW) 178 ft.-lbs (241 Nm)
- R220 72 hp (53.7 kW) 217 ft.-lbs (294 Nm)
- R260 72 hp (53.7 kW) 217 ft.-lbs (294 Nm)



- BETWEEN-THE-TIRE
- design keeps machine length short and compact. *On the R190*



- OVER-THE-TIRE
- design provides wider access and improved visibility. *On the R220 and R260*



- ENCLOSED, PRESSURIZED CAB WITH HEAT AND A/C *Optional*
- FRONT & REAR WORK LIGHTS
- FOUR CONTROL OPTIONS

- LONG WHEELBASE
- Long wheelbase provides a smoother ride and a lower center of gravity for added stability.
- R190 42" (1067 mm)
- R220 43" (1092 mm)
- R260 49.5" (1257 mm)

- POWERVIEW® LIFT ARM
- HIGH-FLOW AUXILIARY HYDRAULICS *Optional*

● POWER and ● PERFORMANCE

P U S H T H E V E R T I C A L L I M I T

● TIER IV YANMAR ENGINES

Utilizing automatic regeneration and no fuel additives, these machines provide clean emissions with little to no input from the operator.

V270 GEN:2	72 hp (53.7 kW)	217 ft.-lbs (294 Nm)
V330 GEN:2	72 hp (53.7 kW)	217 ft.-lbs (294 Nm)

● LIFT HEIGHT

V270 GEN:2	130.3" (3310 mm)
V330 GEN:2	131.2" (3332 mm)
V400	143.6" (3647 mm)

● SMOOTH OPERATOR

Hydraglide™ ride control system allows the lift arm to "float" when transporting loads, minimizing loss of material and increasing operator comfort.

*Standard on V330 GEN:2 and V400. Optional on V270 GEN:2.*

● OPERATING CAPACITY

V270 GEN:2	2,700 lbs. (1225 kg)
V330 GEN:2	3,300 lbs. (1497 kg)
V400	4,000 lbs. (1814 kg)



● LONG WHEELBASE

Long wheelbase provides a smoother ride and a lower center of gravity for added stability.

V270 GEN:2	49.5" (1257 mm)
V330 GEN:2	49.5" (1257 mm)
V400	54.6" (1387 mm)

● SELECTABLE SELF-LEVELING

This option keeps the bucket level throughout the raise/lift cycle and can be turned on and off by a switch in the cab.

*Standard on V400. Optional on V270 GEN:2 and V330 GEN:2.*

● LEVEL II FOPS

Standard robust operator station provides added protection for the operator.

● SOFT-SHIFT DRIVE

This feature on the V270 GEN:2 and V330 GEN:2 two-speed-equipped models provides for smooth transition between low and high speeds.

● HIGH EFFICIENCY

Hydrostatic transmission with direct engine coupling provides high operating efficiency.

● CAB-FORWARD DESIGN

State-of-the-art, fully-adjustable operator's cab features unsurpassed ergonomics, excellent visibility and customized comfort.

WORLD'S LARGEST SKID LOADER

● TRUE VERTICAL

The V400 has a true vertical lift path, while the V270 GEN:2 and V330 GEN:2 have a near vertical path.

● TIER III CUMMINS ENGINE

V400	99 hp (74 kW)	326 ft.-lbs (442 Nm)
------	---------------	----------------------



● COMFORT and ● SAFETY

● SOUND REDUCTION MATERIAL

● MULTIPLE AIR VENTS  
Six adjustable vents throughout the cab provide optimal temperature control.

● ADJUSTABLE SEAT

● PADDED, ADJUSTABLE ARMRESTS

● OPERATOR PRESENCE  
The machine safety system allows operation only when the user is on the seat and the restraint bar is lowered into position.

● 2" (51 mm) SEATBELT  
Optional 3" (76 mm) seatbelt available.

● ADJUSTABLE CONTROL TOWERS  
Towers extend and retract to provide personalized comfort.

● CUP HOLDER

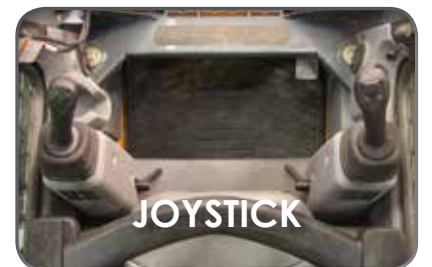
Large-frame R Series and Vertical-Lift models' cab shown

● PRESSURIZED CAB  
An optional pressurized, sealed cab enclosure provides a cleaner, quieter operating environment.

● EASY ENTRY AND EXIT  
Large entry area allows for easy access to the operator station.

● VISIBILITY  
Wide opening in the front of the machine and large screen windows provide high visibility for increased safety and precise placement.

● CONTROL OPTIONS\*



\*Select control options are available for each model

● COMFORT AND CONVENIENCE



**ADJUSTABLE SEAT**  
Air-ride suspension or mechanical suspension seats are available.



**REAR VIEW CAMERA**  
Increase visibility to the rear of the machine with a rear view camera.



**RADIO OPTION**  
Factory installed, this radio option customizes your cab.



**CLIMATE CONTROL**  
Heat is standard on all cab models. Air conditioning is an option on select models.

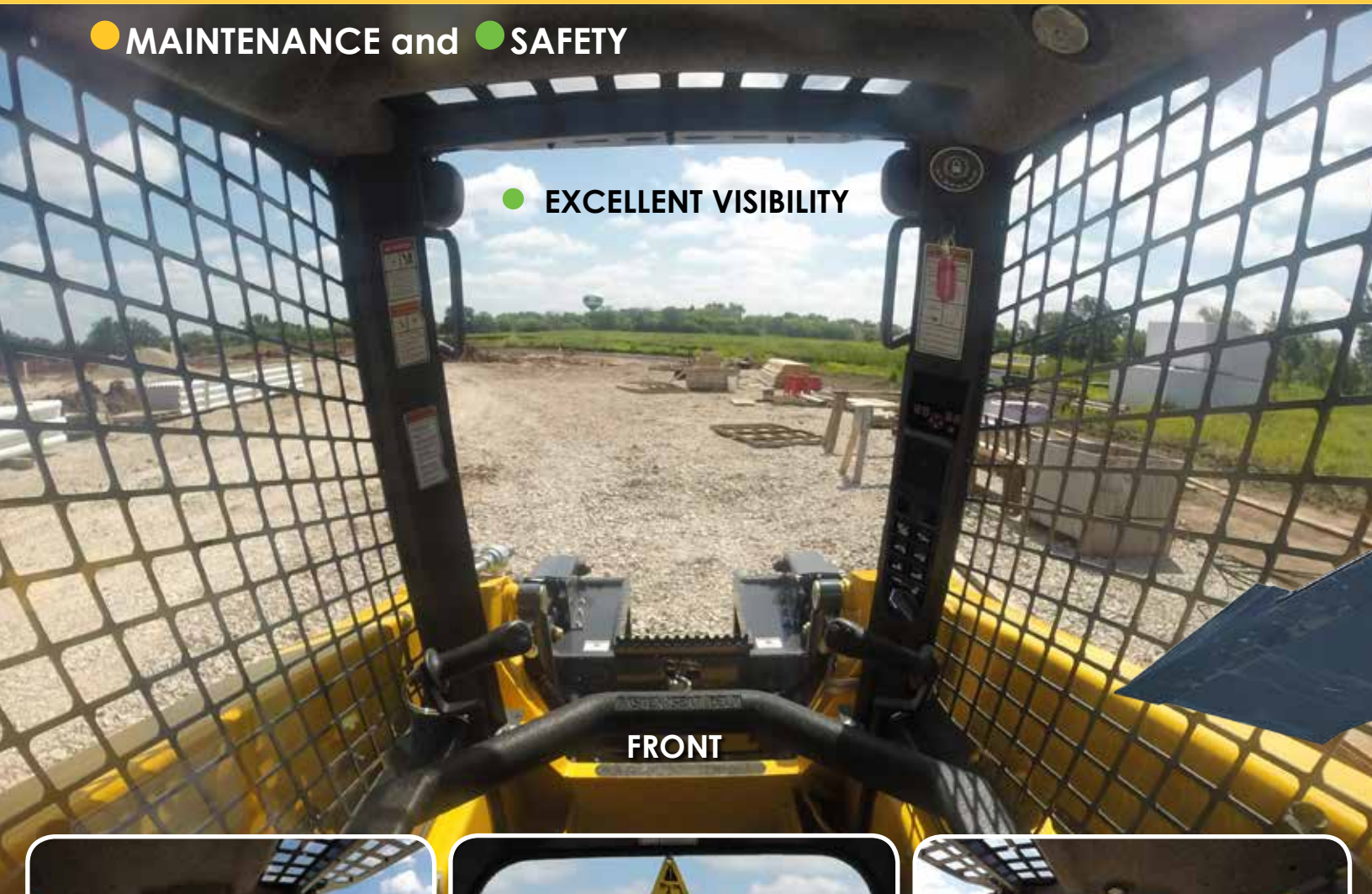


**POWER PORT**  
12-volt accessory plug keeps your devices fully charged.  
Standard equipment





● MAINTENANCE and ● SAFETY



● EXCELLENT VISIBILITY

FRONT



LEFT SIDE



REAR



RIGHT SIDE

**EXCELLENT VIEWS FROM ALL SIDES FOR SAFE AND PRECISE OPERATION.**

Excellent visibility to the front, sides and rear of the machine allow for precise placement of loads and reduced jobsite incidents. A high-mounted seat provides an excellent vantage point to the attachment and cutting-edge.

## LESS DOWNTIME PUTS MONEY IN YOUR POCKET

● **SWING-OUT COOLER** Swing-out design provides improved access to the engine bay area.  
*Available on select models*

● **SAFETY RESTRAINTS** Innovative restraints allow for secure positioning of the lift arm and cab in maintenance positions. Restraints can be secured in position by one person.



R135 shown

● **SWING-OUT REAR DOOR** Rear door easily opens on hinges, allowing full access to filters and fluid reservoirs for servicing and maintenance.

● **LARGE ENGINE COVER** Cover is hinged and positioned by gas-springs to assist lifting and holding in place, and allows for easy return to closed position.

● **TILTABLE ROPS/FOPS ASSEMBLY** with gas-spring assist for easy internal access to the pumps, hydraulic valve bank and drive motors.

● **FRONT CHASSIS CLEANOUT** Removable plate for easy cleanout of the foot area inside the ROPS/FOPS.



● PERFORMANCE and ● VERSATILITY

● **SELECTABLE SELF-LEVELING HYDRAULIC LIFT ACTION** keeps the bucket level throughout the raise/lift cycle.

*Available on select models*

● **ELECTRONIC ATTACHMENT CONTROL OPTION - 14 PIN CONNECTOR**  
This factory-installed add-on allows for convenient control of all attachments.



● **PRECISE CONTROL**

Standard proportional auxiliary hydraulic control gives the operator the ability to adjust attachment speeds with infinitely adjustable flow control.\*

Standard auxiliary detent (at full flow) allows the operator to set the hydraulic flow for continuous operation.\*

*\*Available on select models*

● **STANDARD AUXILIARY HYDRAULIC FLOW RATES**

R105	14.5 gpm (55 L/min)	R135	17.0 gpm (64.4 L/min)	R190	18.5 gpm (70 L/min)	V270 GEN:2	23.5 gpm (89 L/min)
		R150	17.0 gpm (64.4 L/min)	R220	23.5 gpm (89 L/min)	V330 GEN:2	23.5 gpm (89 L/min)
		R165	18.9 gpm (71.4 L/min)	R260	23.5 gpm (89 L/min)	V400	32 gpm (121 L/min)



**ALL-TACH®**

All models feature the easy-to-use All-Tach® (universal-style) attachment mounting system compatible with most allied attachments.

- **SINGLE LEVER DESIGN** for simplicity and strength.  
*Not available on the R105*
- **HEAVY DUTY MOUNTING PLATE** design for increased rigidity over tube style.



**POWER-A-TACH®**

Hydraulic Power-A-Tach® all-weather system option allows users to quickly install and remove attachments. An operator leaves the seat only to connect auxiliary hydraulics. This system is compatible with most allied attachments.

*Not available on the R105*

## EDGE®

With a wide variety of EDGE® attachments available, Gehl Skid Loaders are easily transformed to meet your projects' needs.

PALLET FORKS



ROCK BUCKET



TRENCHER



RAKE



SNOW REMOVAL



AUGER



STUMP GRINDER



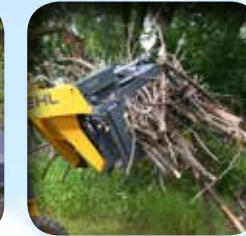
ROTARY BRUSH MOWER



MOWER



GRAPPLE BUCKET



GRADER BLADE



SWEEPER



Learn more about EDGE® Skid Loader attachments.

[edgeattach.com](http://edgeattach.com)



## CUSTOMIZE YOUR RIDE.

Gehl offers a variety of accessories and upgrades that can be easily added to new or used equipment. These can help enhance an existing unit or customize one for a particular job. Whether you are looking to add a counterweight, boost your hydraulics, or enclose a cab to add heat and air conditioning, Gehl has the options you need to craft your ideal ride.



## PROTECT YOUR INVESTMENT.

Trust the experts.  
Make the *right* choice.

You expect year-to-year productivity from your Gehl equipment. That's why your trained and accredited Gehl dealer offers you the experience and skill necessary to maximize your equipment's performance. From routine maintenance to XPRT Genuine Parts to XPRT Protection Plan, your Gehl dealer is a partner you can count on to keep your equipment running smoothly.



**XPRT**  
GENUINE PARTS

## ROUTINE Maintenance



Eliminate unexpected repair costs and take better care of your Gehl equipment with the XPRT Protection Plan®. It ensures repairs will be made quickly with manufacturer-approved XPRT genuine parts by trained mechanics. If you're interested in saving money over the long haul, the XPRT Protection Plan® is an investment you should consider.

Features include:

- Affordable options available to meet your needs
- Select either powertrain component or full machine coverage for the right kind of protection for your equipment
- You decide the number of years and hours of coverage needed
- Enroll in the Plan on the day you purchase eligible equipment, or any time within six months or 500 hours from equipment registration

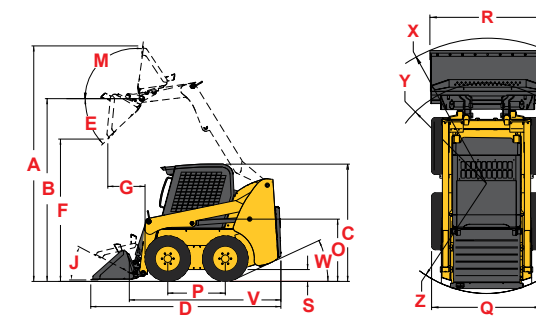
**XPRT**  
PROTECTION PLAN

**GEHL**

	SMALL-FRAME RADIAL		MID-FRAME RADIAL				LARGE-FRAME RADIAL			LARGE-FRAME VERTICAL		
	R105	R135	R150	R165	R190	R220	R260	V270 GEN:2	V330 GEN:2	V400		
<b>DIMENSIONS</b>												
A. Overall Operating Height – Fully Raised (mm)	139.6" (3546)	143.9" (3655)	152.6" (3876)	152.6" (3876)	158" (4013)	161" (4089)	161" (4089)	167.4" (4252)	172" (4369)	186.8" (4745)		
B. Height to Hinge Pin – Fully Raised (mm)	108.1" (2746)	109.6" (2784)	119" (3023)	119" (3023)	120.5" (3061)	123" (3124)	123" (3124)	130.3" (3310)	131.2" (3332)	143.6" (3647)		
C. Overall Height to Top of ROPS (mm)	70.3" (1786)	75.1" (1908)	76.7" (1948)	76.7" (1948)	80" (2032)	81" (2057)	81" (2057)	81" (2057)	82" (2083)	82" (2083)		
D. Overall Length with Bucket (mm)	114" (2896) w/55" Bucket	120.3" (3056) w/54" Bucket	122.1" (3101) w/61.5" Bucket	122.1" (3101) w/61.5" Bucket	127" (3226) w/66" Bucket	136.5" (3467) w/70" Bucket	143" (3632) w/70" Bucket	148" (3759) w/70" Bucket	152.5 (3874) w/74" Bucket	158.5" (4026) w/84" Bucket		
E. Dump Angle at Full Height	42°	40°	38°	38°	42°	40°	40°	42°	42°	31°		
F. Dump Height (mm)	84.5" (2146)	82.6" (2098)	93.7" (2380)	93.7" (2380)	91" (2311)	94" (2388)	94" (2388)	100" (2540)	98.5" (2502)	114.8" (2916)		
G. Dump Reach at Full Height (mm)	22.8" (579)	22.7" (577)	22.8" (579)	22.8" (579)	22.5" (572)	27" (686)	27" (686)	32" (813)	32" (813)	39.5" (1003)		
J. Rollback at Ground	29°	29°	28°	28°	26°	28°	28°	29°	29°	31°		
M. Rollback Angle at Full Height	99°	82°	99°	99°	96°	95°	95°	94°	94°	100°		
O. Seat to Ground Height (mm)	32.6" (828)	33.3" (846)	35.6" (904)	35.6" (904)	39" (991)	40" (1016)	40" (1016)	40" (1016)	41" (1041)	41.2" (1046)		
P. Wheelbase (mm)	34.5" (876)	37.6" (955)	38.9" (988)	38.9" (988)	42" (1067)	43" (1092)	49.5" (1257)	49.5" (1257)	49.5" (1257)	54.6" (1387)		
Q. Overall Width - Less Bucket <sup>A</sup> (mm)	48.4" (1229)	52.6" (1336)	63.2" (1605)	63.2" (1605)	64.5" (1638)	65.5" (1664)	65.5" (1664)	69.5" (1765)	72" (1829)	79.5" (2019)		
R. Bucket Width (mm)	55" (1404)	54" (1372)	61.5" (1562)	61.5" (1562)	66" (1676)	70" (1778)	70" (1778)	70" (1778)	74" (1880)	84" (2134)		
S. Ground Clearance to Chassis (mm)	6.0" (152)	7.9" (201)	6.3" (160)	6.3" (160)	6.5" (165)	8" (203)	8" (203)	8" (203)	9" (229)	7.3" (185)		
V. Overall Length - Less Bucket (mm)	88.9" (2258)	92.2" (2342)	93.9" (2385)	93.9" (2385)	94" (2388)	105" (2667)	111.5" (2832)	116.5" (2959)	119" (3023)	121.5" (3086)		
W. Departure Angle	26°	25°	21°	21°	25°	25°	25°	25°	25°	19°		
X. Clearance Circle – Front w/ Bucket (mm)	69.4" (1763)	72.5" (1842)	73.6" (1869)	73.6" (1869)	79" (2007)	87.5" (2223)	90" (2286)	90" (2286)	94.5" (2400)	88.5" (2248)		
Y. Clearance Circle – Front w/o Bucket (mm)	44.1" (1120)	44.1" (1130)	45.4" (1153)	45.4" (1153)	44.5" (1130)	52" (1321)	56" (1422)	56" (1422)	56" (1422)	50.8" (1290)		
Z. Clearance Circle – Rear (mm)	54.1" (1374)	54" (1372)	57.7" (1466)	57.7" (1466)	58.5" (1486)	60" (1524)	64" (1626)	66.5" (1689)	69.5" (1765)	70.5" (1791)		
Standard Specification Tire Size	27x8.5x15 HD	10.00x16.5 HD	10.00x16.5 HD	10.00x16.5 HD	10.00x16.5 HD	12.00x16.5 HD	12.00x16.5 HD	12.00x16.5 HD	14.00x17.5 HD	14.00x17.5 HD		
<b>ENGINE</b>												
Make	Yanmar	Yanmar	Yanmar	Yanmar	Yanmar	Yanmar	Yanmar	Yanmar	Yanmar	Cummins		
Model	3TNV88C-KMS Tier IV	4TNV88C-KMS Tier IV	4TNV88C-KMS Tier IV	4TNV98C-NMS2 Tier IV	4TNV98C-NMS Tier IV	4TNV98CT-NMS Tier IV	4TNV98CT-NMS Tier IV	4TNV98CT-NMS Tier IV	4TNV98CT-NMS Tier IV	4TNV98CT-NMS Tier IV	QSB 4.5 Tier III	
Gross Power (kW) @ rpm	34.7 hp (25.5) @ 2800	46.3 hp (34.5) @ 2800	46.3 hp (34.5) @ 2800	69.9 hp (52) @ 2500	69.3 hp (51.7) @ 2500	72 hp (53.7) @ 2500	72 hp (53.7) @ 2500	72 hp (53.7) @ 2500	72 hp (53.7) @ 2500	72 hp (53.7) @ 2500	N/A	
Net Power (kW) @ rpm	33.1 hp (24.7) @ 2800	44.5 hp (33) @ 2800	44.5 hp (33) @ 2800	68.4 hp (51) @ 2500	68.4 hp (51) @ 2500	70.7 hp (52.7) @ 2500	70.7 hp (52.7) @ 2500	70.7 hp (52.7) @ 2500	70.7 hp (52.7) @ 2500	99 hp (74) @ 2200		
Maximum Torque (Nm) @ rpm	80 ft.-lbs. (108) @ 1680	107.8 ft.-lbs. (146) @ 1820	107.8 ft.-lbs. (146) @ 1820	178 ft.-lbs. (241) @ 1625	178 ft.-lbs. (241) @ 1625	217 ft.-lbs. (294) @ 1625	217 ft.-lbs. (294) @ 1625	217 ft.-lbs. (294) @ 1625	217 ft.-lbs. (294) @ 1625	326 ft.-lbs. (442) @ 1300		
Displacement (L)	100 cu.in. (1.6)	133.6 cu.in. (2.19)	133.6 cu.in. (2.19)	201.4 cu.in. (3.3)	202.6 cu.in. (3.3)	202.6 cu.in. (3.3)	202.6 cu.in. (3.3)	202.6 cu.in. (3.3)	202.6 cu.in. (3.3)	272 cu.in. (4.5)		
<b>HYDRAULIC SYSTEM</b>												
Auxiliary Hydraulics – Standard (L/min)	14.5 gpm (55)	17 gpm (64.4)	17 gpm (64.4)	18.9 gpm (71.4)	18.5 gpm (70)	23.5 gpm (90)	23.5 gpm (90)	23.5 gpm (89)	23.5 gpm (89)	32 gpm (121)		
High-Flow Auxiliary Hydraulics – Option (L/min)	N/A	N/A	N/A	25 gpm (94.6)	31.5 gpm (119)	35 gpm (132.5)	35 gpm (132.5)	35 gpm (132)	35 gpm (132)	40.8 gpm (154)		
Reservoir Capacity (L)	8 gal. (30.3)	10 gal. (37.9)	11 gal. (41.6)	11 gal. (41.6)	8 gal. (30.3)	8 gal. (30.3)	8 gal. (30.3)	10.5 gal. (40)	10.5 gal. (40)	16.75 gal. (63)		
<b>ELECTRICAL SYSTEM</b>												
Battery (CCA)	12-volt (675)	12-volt (950)	12-volt (950)	12-volt (950)	12-volt (950)	12-volt (950)	12-volt (950)	12-volt (950)	12-volt (950)	12-volt (950)		
Starter (kW)	12-volt (2.3)	12-volt (3.0)	12-volt (3.0)	12-volt (3.0)	12-volt (3.0)	12-volt (3.0)	12-volt (3.0)	12-volt (3.0)	12-volt (3.0)	12-volt (3.0)		
Alternator	40-amp	100-amp	100-amp	100-amp	95-amp	95-amp	95-amp	95-amp	95-amp	130-amp		
<b>CAPACITIES / WEIGHTS</b>												
Rated Operating Capacity <sup>B</sup> (kg)	1,050 lbs. (476)	1,350 lbs. (612)	1,500 lbs. (680)	1,650 lbs. (748)	1,900 lbs. (862)	2,200 lbs. (998)	2,600 lbs. (1179)	2,700 lbs. (1225)	3,300 lbs. (1497)	4,000 lbs. (1814)		
Rated Op. Capacity with Opt. Counterweight <sup>B</sup> (kg)	1,175 lbs. (533)	1,500 lbs. (680)	1,650 lbs. (748)	1,800 lbs. (816.5)	2,110 lbs. (957)	2,370 lbs. (1075)	2,780 lbs. (1261)	3,000 lbs. (1361)	N/A	N/A		
Fuel Tank (L)	10.4 gal. (39.4)	16.5 gal. (62.5)	16.5 gal. (62.5)	16.5 gal. (62.5)	16.5 gal. (62.5)	18 gal. (68.1)	21.5 gal. (81.4)	24.5 gal. (92.7)	24.5 gal. (92.7)	31.25 gal. (118)		
Travel Speed – Maximum (km/hr)	5.9 mph (9.5)	8.0 mph (12.9)	7.4 mph (11.9)	7.8 mph (12.6)	7.5 mph (12.1)	8.0 mph (12.9)	8.0 mph (12.9)	7.4 mph (12)	8.1 mph (13.0)	6.5 mph (10.5)		
Travel Speed w/ Two-Speed Option - Maximum (km/hr)	N/A	N/A	N/A	12.1 mph (19.5)	12.5 mph (20.1)	11.9 mph (19.2)	11.9 mph (19.2)	11.9 mph (19.2)	12.2 mph (19.6)	11.2 mph (18)		
Operating Weight <sup>C</sup> – Approximate (kg)	4,200 lbs. (1905)	5,130 lbs. (2327)	5,930 lbs. (2690)	6,165 lbs. (2796)	6,880 lbs. (3121)	7,980 lbs. (3620)	8,200 lbs. (3719)	8,150 lbs. (3697)	9090 lbs. (4123)	11,100 lbs. (5035)		

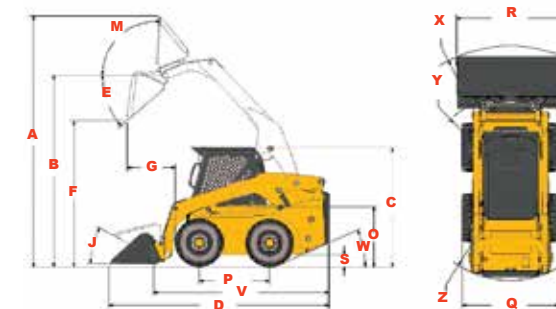
## REFERENCE DIAGRAMS

### RADIAL-LIFT

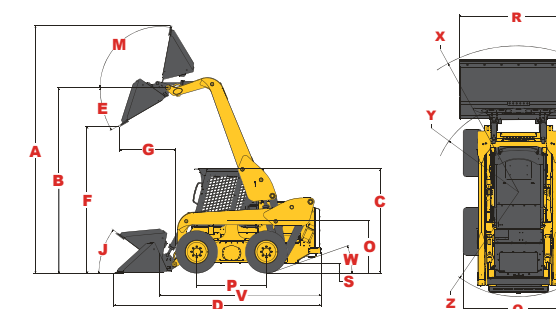


### VERTICAL-LIFT

#### V270 GEN:2 / V330 GEN:2



#### V400



- A Overall width is dependent upon the amount of wheel offset
- B Per SAE J818, SAE J732, and ISO 14397
- C Weight of base unit with standard equipment, standard tires (heavy-duty flotation), standard dirt-construction bucket and 175 lb. (79 kg) operator.

## OWNER DRIVEN

Gehl authorized dealers offer a full line of compact equipment, backed up by exceptional sales, service and parts experience.

For more information on Gehl equipment, visit [gehl.com](http://gehl.com)

Gehl Company reminds users to read and understand the operator's manual before operating any equipment. Also, make sure all safety devices and shields are in place and functioning properly.

Gehl reserves the right to add improvements or make changes in specifications at any time without notice or obligation.

<sup>1</sup> Adjustable control towers and armrests available on joystick and hand/foot control configurations only.

<sup>2</sup> Foot throttle on hand control units only.

<sup>3</sup> Hydraglide™ Ride Control is standard with pilot controls and optional with T-Bar controls.

<sup>4</sup> Self-leveling hydraulic lift action is not selectable on model R105.



West Bend, WI 53095 U.S.A.  
Tel: 262-334-9461 | Fax: 262-338-7517

● STANDARD ● OPTIONAL

	R105	R135	R150	R165	R190	R220	R260	V270 GEN:2	V330 GEN:2	V400
<b>CONTROLS</b>										
Gehl T-Bar Controls	●	●	●	●	●	●	●	●	●	●
Dual-Hand Controls					●	●	●	●	●	●
Hand/Foot Controls	●	●	●	●	●	●	●	●	●	●
Joystick Controls				●	●	●	●	●	●	●
<b>ENGINE</b>										
Engine Auto-Shutdown System		●	●	●	●	●	●	●	●	●
Engine Block Heater	●	●	●	●	●	●	●	●	●	●
Turbo-Charged Engine						●	●	●	●	●
Swing-Out Cooler		●	●	●						●
<b>HYDRAULICS</b>										
Auxiliary Hydraulics	●	●	●	●	●	●	●	●	●	●
High-Flow Auxiliary Hydraulics				●	●	●	●	●	●	●
<b>OPERATOR STATION</b>										
Adjustable Arm Rests / Control Towers <sup>1</sup>					●	●	●	●	●	●
Heating	●	●	●	●	●	●	●	●	●	●
Air Conditioning		●	●	●	●	●	●	●	●	●
High-Back Adjustable Seat	●	●	●	●	●	●	●	●	●	
Suspension Seat - Mechanical	●	●	●	●	●	●	●	●	●	●
Suspension Seat - Air Ride		●	●	●	●	●	●	●	●	●
Cab Enclosure	●	●	●	●	●	●	●	●	●	●
Foot and Hand Throttles <sup>2</sup>	●	●	●	●	●	●	●	●	●	●
Full Instrumentation	●	●	●	●	●	●	●	●	●	●
Horn	●	●	●	●	●	●	●	●	●	●
Integral Access Plate (removable)	●	●	●	●	●	●	●	●	●	●
Operator Restraint Bar	●	●	●	●	●	●	●	●	●	●
ROPS/FOPS Level II Overhead Guard	●	●	●	●	●	●	●	●	●	●
Sound Reduction Material	●	●	●	●	●	●	●	●	●	●
Work Lights - Front and Rear	●	●	●	●	●	●	●	●	●	●
<b>PERFORMANCE</b>										
All-Tach® Attachment Mounting System	●	●	●	●	●	●	●	●	●	●
Power-A-Tach® Attachment Mounting System		●	●	●	●	●	●	●	●	●
Anti-Vandalism Protection	●	●	●	●	●	●	●	●	●	●
Back-Up Alarm	●	●	●	●	●	●	●	●	●	●
Brake Control (Auto / Manual)	●	●	●	●	●	●	●	●	●	●
Counterweight	●	●	●	●	●	●	●	●	●	●
Hydraglide™ Ride Control <sup>3</sup>			●	●	●	●	●	●	●	●
Hydraloc™ Safety System	●	●	●	●	●	●	●	●	●	●
Hydrostatic Drive - Servo	●	●	●	●	●	●	●	●	●	●
Lift Arm Support Device	●	●	●	●	●	●	●	●	●	●
Selectable Self-Leveling Hydraulic Lift Action <sup>4</sup>	●	●	●	●	●	●	●	●	●	●
Two-Speed Drive				●	●	●	●	●	●	●