
TECHNICAL DATA SHEET

TMT Range

Mounted trucks



- Industrial version
- With Stabilisers
- Poultry version

2500 kg - Industrial

TECHNICAL SPECS

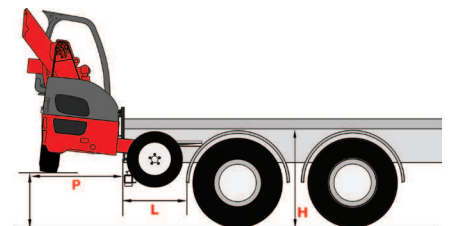
Specifications	1.1	Manufacturer			MANITOU
	1.2	Model			TMT 25I
	1.3	Power source			Diesel
	1.4	Driving position			Seated
	1.5	Nominal capacity	Q	t	2500
	1.6	Load - Centre of gravity	c	mm	600
	1.8	Distance from the load-bearing surface to centre of front axle	x	mm	628
	1.9	Wheelbase	y	mm	1783
	Weights	2.1	Operating weight		kg
2.2		Axle load, with load, front / rear		kg	3165/1780
2.3		Axle load, without load, front / rear		kg	740/1705
Tyres, frame	3.1	Tyre equipment : cushion (V), superelastic (SE), pneumatic (L)			Pneumatic
	3.2	Size of front wheels		" or mm	18x7-8 129A5 LT
	3.3	Size of rear wheels		" or mm	10x16,5 134A2 SKS
	3.5	Number of front wheels (x=drive wheel) / rear wheels			2x/1x
	3.6	Front wheel gauge (middle of wheels)	b10	mm	2102
	3.7	Rear wheel gauge (middle of wheels)	b11	mm	0
	Dimensions	4.2	Height mast lowered	h1	mm
4.4		Lift height	h3	mm	3363
4.7		Height of overhead guard (cabin)	h6	mm	2195
4.19		Overall length	l1	mm	2750
4.20		Length at fork heels	l2	mm	1550
4.21		Total width (overall)	b1	mm	2272
4.22		Fork dimensions	s / e / l	mm	1200x40x125
4.23		Fork carriage to DIN 15173 A/B			ISO 2A
4.24		Width of fork carriage	b3	mm	1270
4.32		Ground clearance at centre of wheel-base	m2	mm	278
4.34		Width of aisle for pallet 800x1200 lengthways	Ast	mm	3783
4.35		Turning radius	Wa	mm	3011
4.36		Inner turning radius	b13	mm	1411
Performances	5.1	Speed of travel laden / unladen		km/h	9/9
	5.2	Speed of rising movement - up / down - unladen		s	6,5/5,3
	5.3	Speed of boom telescopic movement - up / down - unladen		s	6,6/4,7
	5.4	Speed of tilting movement - up / down - unladen		s	4,1/3
	5.7	Gradeability with / without load		%	24/32
	5.10	Service brake			Wet disk brake
Engines	7.1	Engine Manufacturer / Type			KUBOTA V2403 M
	7.2	Power delivery		kW	36,5
	7.3	Rated speed		tr/min	2700
Miscellaneous	8.2	Operating pressure for attachments		bar	250
	8.3	Oil flow for attachments		l/min	50
	8.4	Average noise level for the driver (in motion) measured / guaranteed		dB (A)	81

* Other values are available

Mounting kit

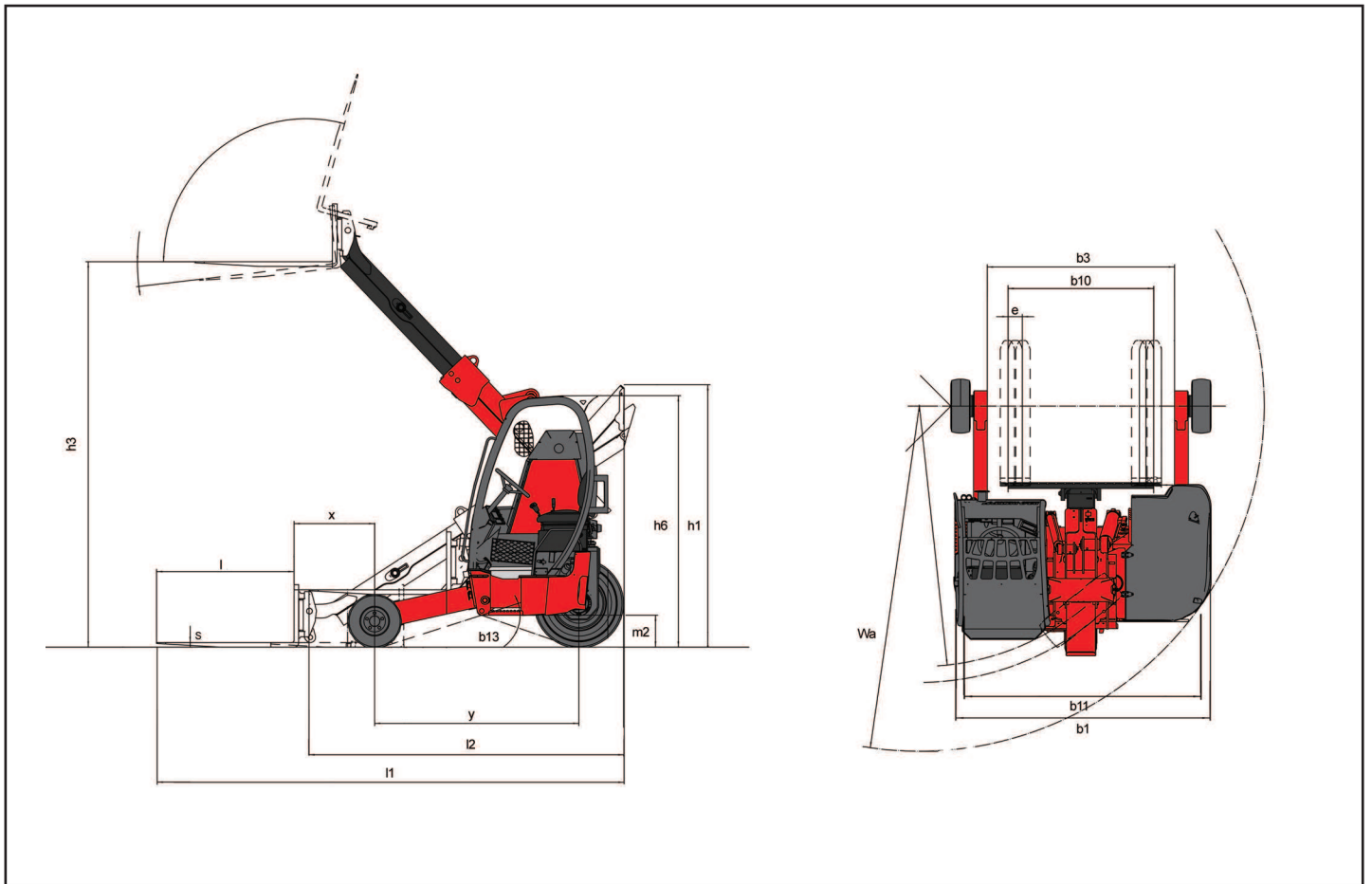
The minimum TMT ground clearance recommended from TMT rear tyre to ground is 400 mm

MINIMUM RECOMMENDED		TMT25 I
H	Distance between bottom of bed and grade	1070
L	Distance between truck/trailer rear mudguard and rear of bed	830
P	Overhang (in transport position)	1440

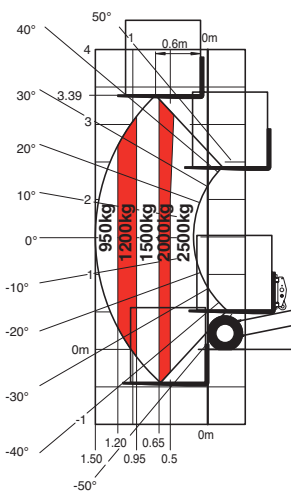


Data is based on standard configurations (forks).
Performance data and dimensions are nominal and subject to tolerances.
Specifications are subject to change without notice.

DIMENSIONAL DRAWINGS



RATED CAPACITIES



2500 - 2700 kg - Stabilisers

TECHNICAL SPECS

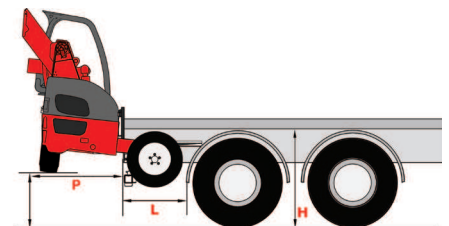
Specifications	1.1	Manufacturer			MANITOU	MANITOU
	1.2	Model			TMT 25S	TMT 27S
	1.3	Power source			Diesel	Diesel
	1.4	Driving position			Seated	Seated
	1.5	Nominal capacity	Q	t	2500	2700
	1.6	Load - Centre of gravity	c	mm	600	600
	1.8	Distance from the load-bearing surface to centre of front axle	x	mm	505	775
	1.9	Wheelbase	y	mm	1651	1921
	Weights	2.1	Operating weight		kg	2615
2.2		Axle load, with load, front / rear		kg	3415/1700	3355/1990
2.3		Axle load, without load, front / rear		kg	910/1705	845/1800
Tyres, frame	3.1	Tyre equipment : cushion (V), superelastic (SE), pneumatic (L)			Pneumatic	Pneumatic
	3.2	Size of front wheels			10x16,5 134A2 SKS	10x16,5 134A2 SKS
	3.3	Size of rear wheels			10x16,5 134A2 SKS	10x16,5 134A2 SKS
	3.5	Number of front wheels (x=drive wheel) / rear wheels			2x/1x	2x/1x
	3.6	Front wheel gauge (middle of wheels)	b10	mm	2072	2072
	3.7	Rear wheel gauge (middle of wheels)	b11	mm	0	0
	Dimensions	4.2	Height mast lowered	h1	mm	2260*
4.4		Lift height	h3	mm	3415	3415
4.7		Height of overhead guard (cabin)	h6	mm	2203	2203
4.19		Overall length	l1	mm	2783	2783
4.20		Length at fork heels	l2	mm	1583	1583
4.21		Total width (overall)	b1	mm	2348	2348
4.22		Fork dimensions	s / e / l	mm	1200x40x125	1200x40x125
4.23		Fork carriage to DIN 15173 A/B			ISO 2A	ISO 2A
4.24		Width of fork carriage	b3	mm	1270	1270
4.32		Ground clearance at centre of wheel-base	m2	mm	290	290
4.34		Width of aisle for pallet 800x1200 lengthways	Ast	mm	3967	3840
4.35		Turning radius	Wa	mm	3072	3215
4.36		Inner turning radius	b13	mm	1336	1560
Performances	5.1	Speed of travel laden / unladen		km/h	11/11	11/11
	5.2	Speed of rising movement - up / down - unladen		s	6/4,5	6,5/5,3
	5.3	Speed of boom telescopic movement - up / down - unladen		s	4,2/6,3	6,6/4,7
	5.4	Speed of tilting movement - up / down - unladen		s	4,1/3	4,1/3
	5.7	Gradeability with / without load		%	32/39	36/30
	5.10	Service brake			Wet disk brake	Wet disk brake
Engines	7.1	Engine Manufacturer / Type			KUBOTA V2403 M	KUBOTA V2403 M
	7.2	Power delivery		kW	36,5	36,5
	7.3	Rated speed		tr/min	2700	2700
Miscellaneous	8.2	Operating pressure for attachments		bar	250	270
	8.3	Oil flow for attachments		l/min	50	50
	8.4	Average noise level for the driver (in motion) measured / guaranteed		dB (A)	81	81

* Other values are available

Mounting kit

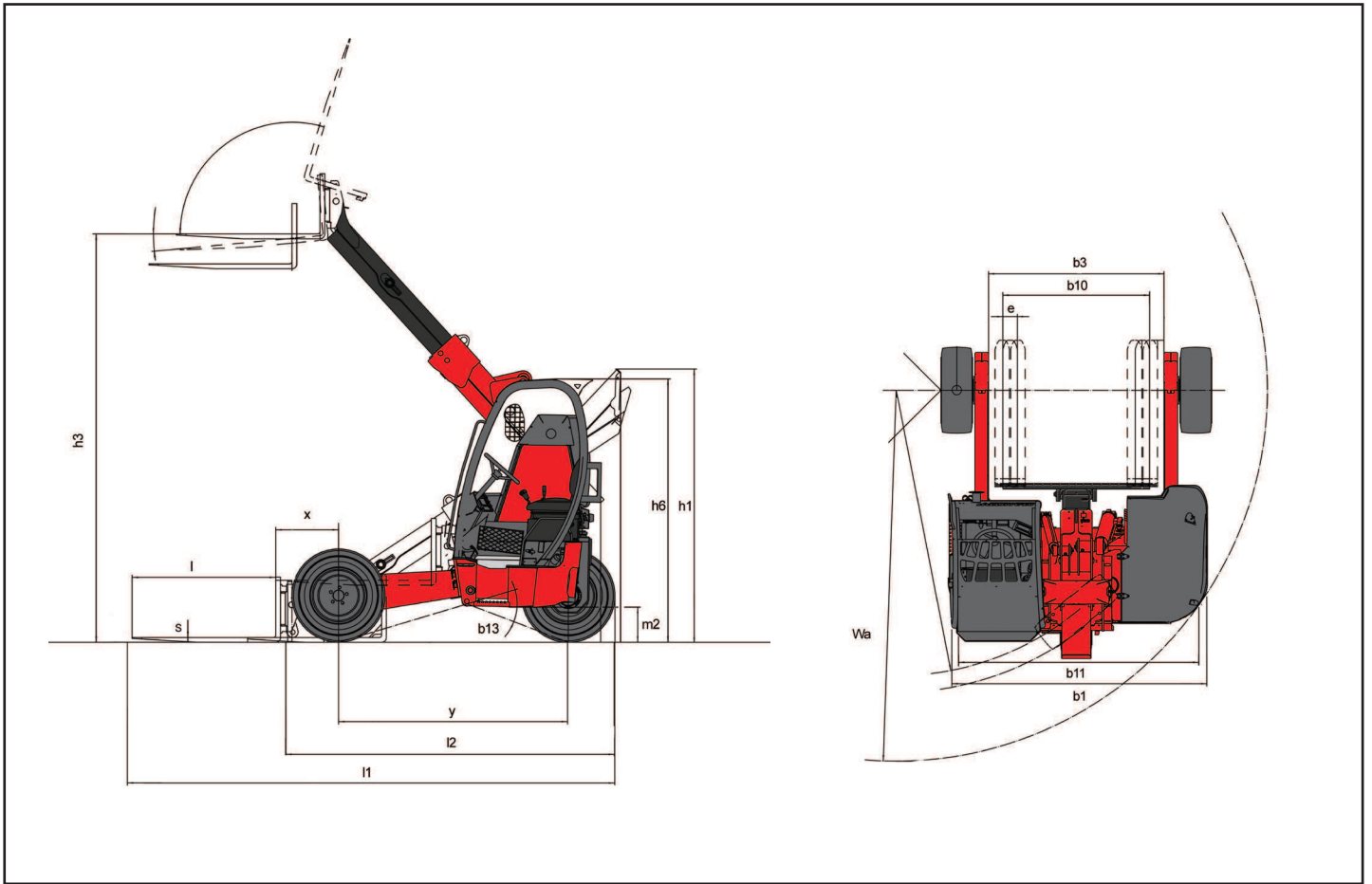
The minimum TMT ground clearance recommended from TMT rear tyre to ground is 400 mm

MINIMUM RECOMMENDED		TMT25 S	TMT27 S
H	Distance between bottom of bed and grade	1070	1070
L	Distance between truck/trailer rear mudguard and rear of bed	850	1140
P	Overhang (in transport position)	1440	1440

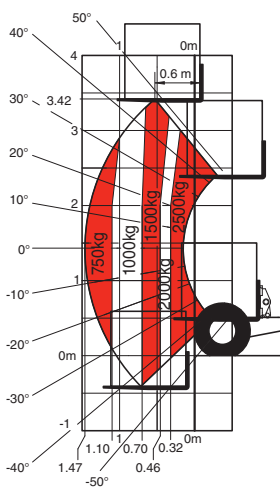


Data is based on standard configurations (forks).
Performance data and dimensions are nominal and subject to tolerances.
Specifications are subject to change without notice.

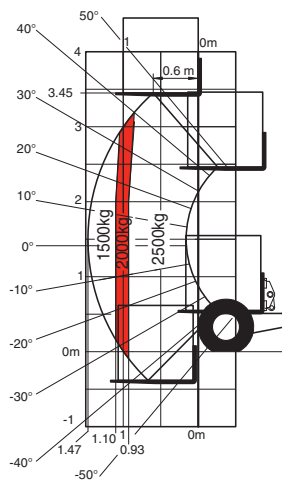
DIMENSIONAL DRAWINGS



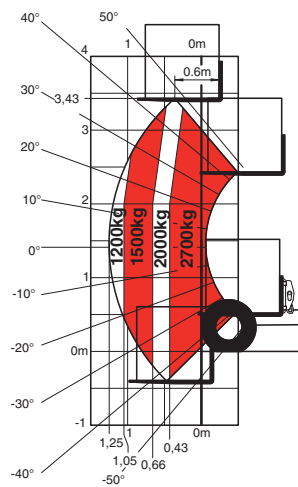
RATED CAPACITIES



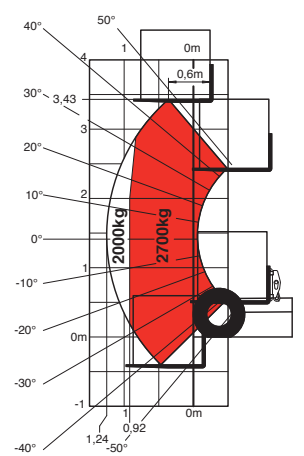
TMT 25S



TMT 25S (with stabiliser)



TMT 27S



TMT 27S (with stabiliser)

2500 - 2700 kg - Poultry

TECHNICAL SPECS

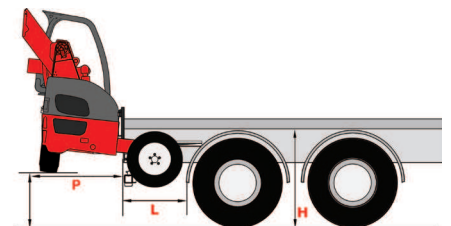
				MANITOU	MANITOU	
Specifications	1.1	Manufacturer		TMT 25P	TMT 27P	
	1.2	Model		Diesel	Diesel	
	1.3	Power source		Seated	Seated	
	1.4	Driving position		2500	2700	
	1.5	Nominal capacity	Q	t	600	600
	1.6	Load - Centre of gravity	c	mm	775	775
	1.8	Distance from the load-bearing surface to centre of front axle	x	mm	1921	1921
	1.9	Wheelbase	y	mm		
Weights	2.1	Operating weight		kg	2445	2525
	2.2	Axle load, with load, front / rear		kg	3165/1781	3065/2160
	2.3	Axle load, without load, front / rear		kg	740/1705	755/1770
Tyres, frame	3.1	Tyre equipment : cushion (V), superelastic (SE), pneumatic (L)			Pneumatic	Pneumatic
	3.2	Size of front wheels			18x7-8 129A5 LT	280/60 15,5 T421
	3.3	Size of rear wheels			10x16,5 134A2 SKS	280/60 15,5 T421
	3.5	Number of front wheels (x=drive wheel) / rear wheels			2x/1x	2x/1x
	3.6	Front wheel gauge (middle of wheels)	b10	mm	2102	2072
	3.7	Rear wheel gauge (middle of wheels)	b11	mm	0	0
	Dimensions	4.2	Height mast lowered	h1	mm	2251
4.4		Lift height	h3	mm	3363	3403
4.7		Height of overhead guard (cabin)	h6	mm	2195	2191
4.19		Overall length	l1	mm	2750	2783
4.20		Length at fork heels	l2	mm	1550	1583
4.21		Total width (overall)	b1	mm	2272	2348
4.22		Fork dimensions	s / e / l	mm	120x40x1200	125x45x2000
4.23		Fork carriage to DIN 15173 A/B			ISO 2A	ISO 2A
4.24		Width of fork carriage	b3	mm	1270	1270
4.32		Ground clearance at centre of wheel-base	m2	mm	278	278
4.34		Width of aisle for pallet 800x1200 lengthways	Ast	mm	3783	3840
4.35		Turning radius	Wa	mm	3011	3215
4.36		Inner turning radius	b13	mm	1411	1560
Performances	5.1	Speed of travel laden / unladen		km/h	9/9	10,2/10,2
	5.2	Speed of rising movement - up / down - unladen		s	6,5/5,3	6,5/5,3
	5.3	Speed of boom telescopic movement - up / down - unladen		s	6,6/4,7	6,6/4,7
	5.4	Speed of tilting movement - up / down - unladen		s	4,1/3	4,1/3
	5.7	Gradeability with / without load		%	24/32	36/30
	5.10	Service brake				Wet disk brake
Engines	7.1	Engine Manufacturer / Type			KUBOTA V2403 M	KUBOTA V2403 M
	7.2	Power delivery		kW	36,5	36,5
	7.3	Rated speed		tr/min	2700	2700
Miscellaneous	8.2	Operating pressure for attachments		bar	250	270
	8.3	Oil flow for attachments		l/min	50	50
	8.4	Average noise level for the driver (in motion) measured / guaranteed		dB (A)	81	81

* Other values are available

Mounting kit

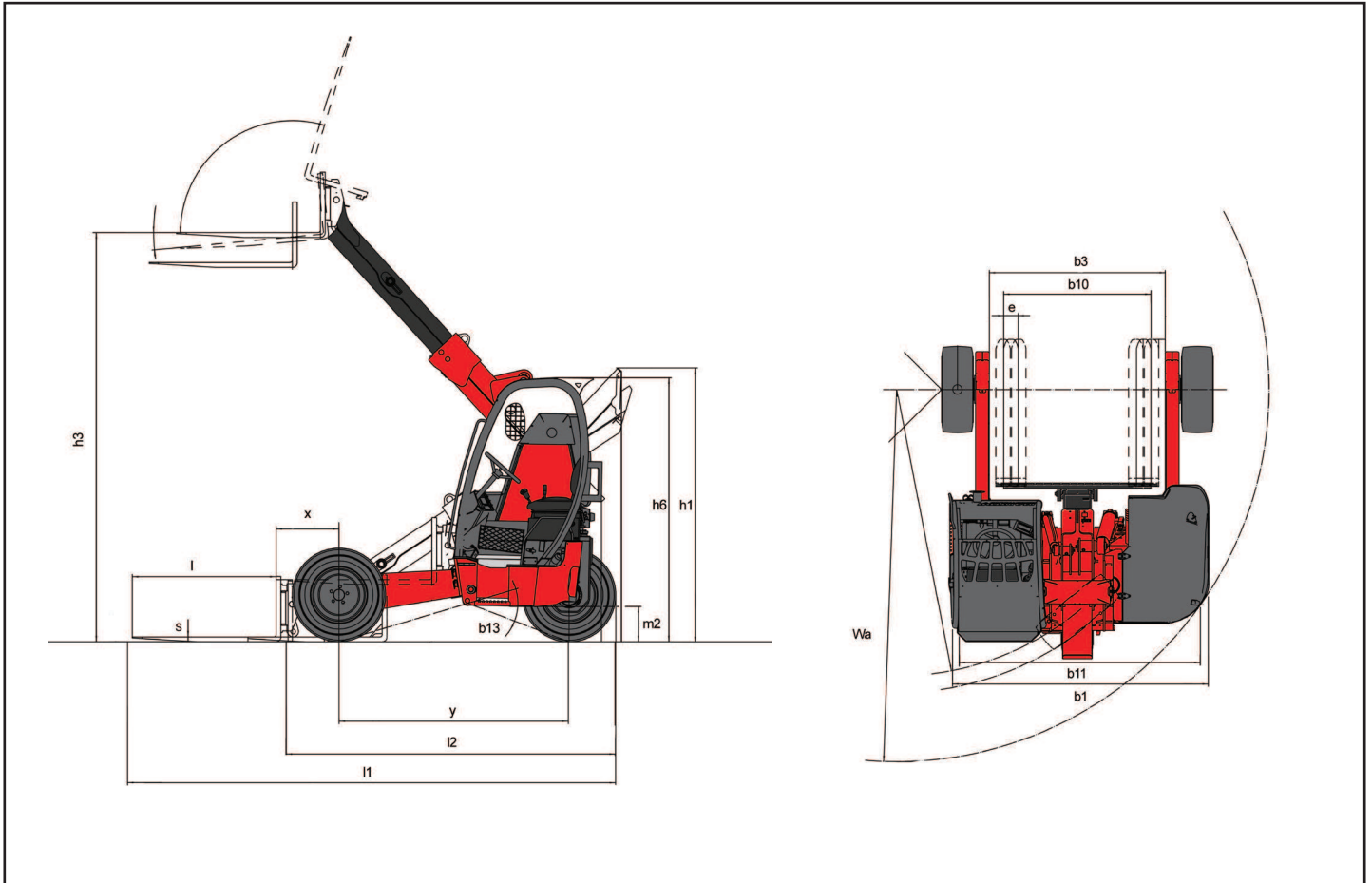
The minimum TMT ground clearance recommended from TMT rear tyre to ground is 400 mm

MINIMUM RECOMMENDED		TMT25 P	TMT27 P
H	Distance between bottom of bed and grade	1070	1070
L	Distance between truck/trailer rear mudguard and rear of bed	830	1110
P	Overhang (in transport position)	1440	1440

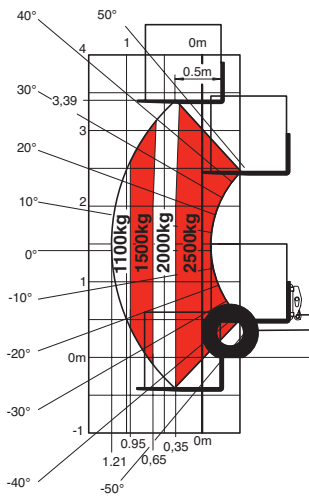


Data is based on standard configurations (forks).
Performance data and dimensions are nominal and subject to tolerances.
Specifications are subject to change without notice.

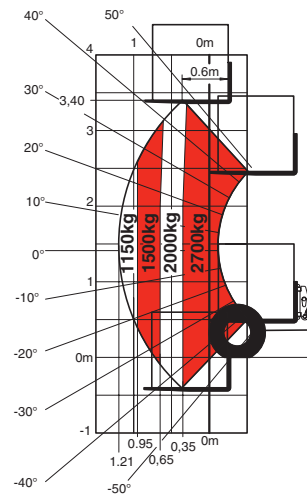
DIMENSIONAL DRAWINGS



RATED CAPACITIES



TMT 25P



TMT 27P

Your nearest MANITOU dealer:



Head office

B.P. 249 - 430 rue de l'Aubinière - 44158 Ancenis Cedex - France
Tel: 00 33 (0)2 40 09 10 11 - Fax: 00 33 (0)2 40 09 10 97
www.manitou.com



This brochure describes versions and configuration options for Manitou products which may be fitted with different equipment. The equipment described in this brochure may be standard, optional or not available depending on version. Manitou reserves the right to change the specifications shown and described at any time and without prior warning. The manufacturer is not liable for the specifications given. For more information, contact your Manitou dealer. Non-contractual document. Product descriptions may differ from actual products. List of specifications is not comprehensive. The logos and visual identity of the company are the property of Manitou and may not be used without authorisation. All rights reserved. The photos and diagrams contained in this brochure are provided for information only.

MANITOU BF SA - Limited company with board of directors - Share capital: 39,547,824 euros - 857 802 508 RCS Nantes