

# MHT-X 10230

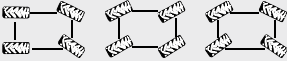
TECHNICAL DATA SHEET



 **MANITOU**

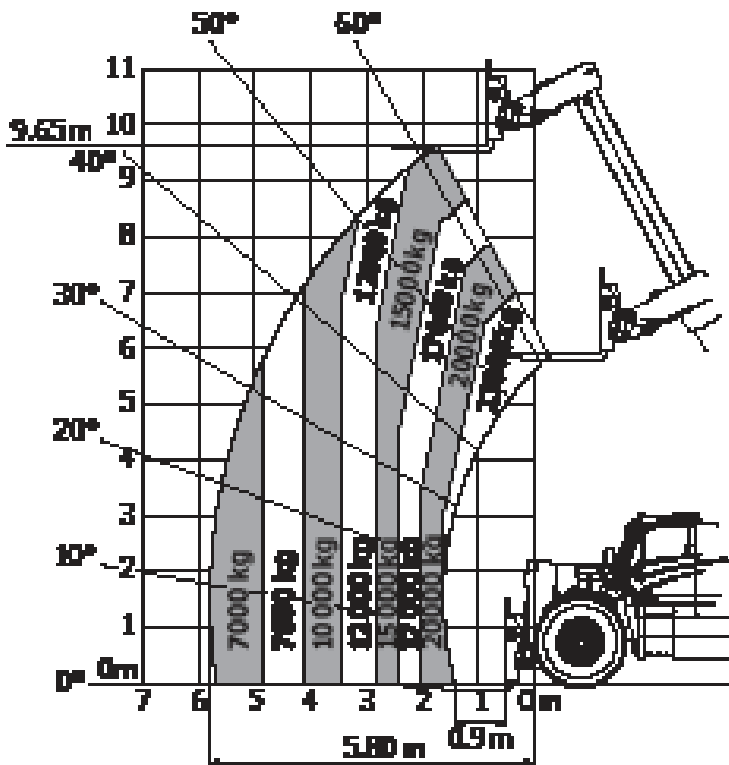
[www.manitou.com](http://www.manitou.com)

# MHT-X 10230

MHTX 10230	
<b>Lifting</b>	
Max. capacity with forks at 900 mm	23 000 kg
Max. lifting height	9.65 m
Max. Outreach	5.80 m
<b>Tyres</b>	18.00 R 25
<b>Frame levelling</b>	+/- 10°
<b>Braking</b>	
Service brake	Oil bath multiple-disc brakes hydraulically assisted on both axles
Parking brake	Automatic Negative Parking brake
<b>Engine</b>	
MERCEDES	
Type	OM 904 LA. E3A/1 (Stage III / Tier III)
Displacement	4 cylinders 4.25 liters
Power	176 HP / 129 kW
Max. torque	675 Nm / 1200-1600 rpm
Batteries	24 V - 2X12 V - 120 Ah - 850 A
Laden drawbar pull	18 500 daN
Gradability	34%
<b>Transmission</b>	
hydrostatic	
Reversing shift	electrohydraulic control
Number of gears (forward /reverse)	2/2
Drive wheel	4 wheel drive
Steering mode	4 wheel steer - 3 steering Modes 
Max. travel speed (may vary according to applicable regulations)	25 kph
Axles	OMCI
<b>Controls</b>	
JSM® Joystick multi-fonction	
<b>Hydraulics</b>	
Load sensing Pump	205 l/min - 350 bar
<b>Capacities</b>	
Urea	63 l
Hydraulic oil	290 l
Fuel	315 l
<b>Unladen weight</b> (with forks)	29 300 kg
<b>Dimensions</b>	
Overall width	2.85 m
Overall height	3.05 m
Overall length to carriage	6.99 m
Ground clearance	0.49 m
Turning radius (over tyres)	5.40 m
Standard forks (length x width x thickness)	1800 x 200 x 110 mm
<b>Safety</b>	Load state monitoring system (crane norms) attachment recognition system (E-Reco) cab ROPS FOPS level II
<b>Noise and vibration</b>	
Noise at driving position (LpA)	80 dB
Environmental noise (LwA)	107 dB
Vibration to whole hand / arm	<2.5 m/s <sup>2</sup>

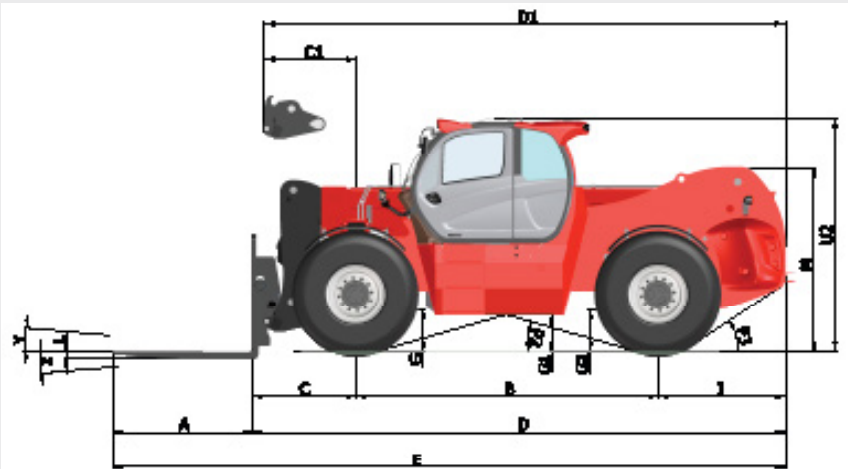
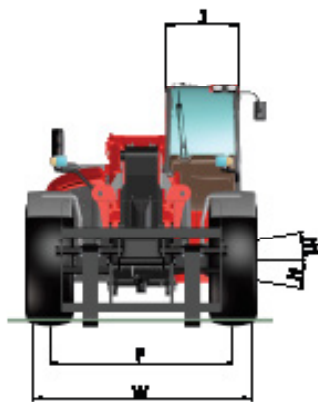
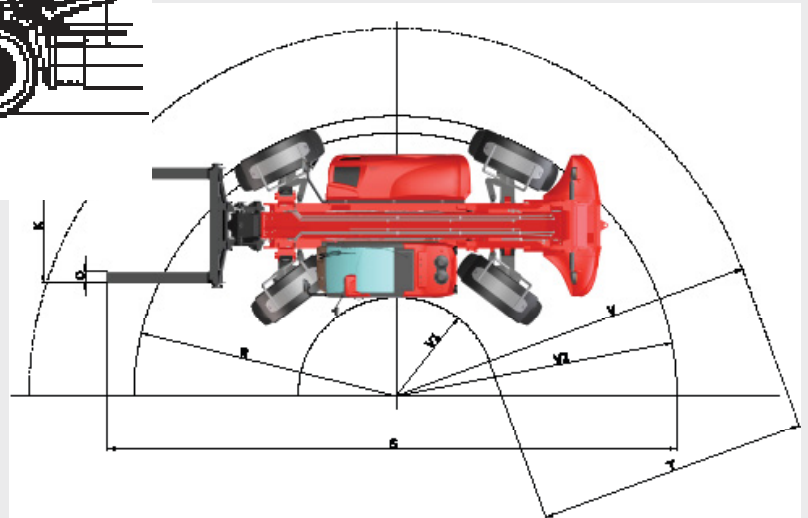
# MHT-X 10230

Machine on tyres with forks  
CDG 900 mm



mm	MHTX 10230
A	1800
B	3900
C	1350
C1	1195
D	6997
D1	6845
E	8797
F	2339
G	580
G1	490
G2	580
H	10°
H1	10°
I	1750
J	928

mm	MHTX 10230
K	2000
L	110
M	2370
O	200
P2	16°
P3	32°
R	4945
S	10200
T	4400
U2	3055
V	6650
V1	2250
W	2850
Y	12°
Z	105°



This brochure describes versions and configuration options for Manitou products which may be fitted with different equipment. The equipment described in this brochure may be standard, optional or not available depending on version. Manitou reserves the right to change the specifications shown and described at any time and without prior warning. The manufacturer is not liable for the specifications given. For more information, contact your Manitou dealer. Non-contractual document. Product descriptions may differ from actual products. List of specifications is not comprehensive. The logos and visual identity of the company are the property of Manitou and may not be used without authorisation. All rights reserved. The photos and diagrams contained in this brochure are provided for information only.

MANITOU BF SA - Limited company with board of directors - Share capital: 39,547,824 euros - 857 802 508 RCS Nantes



Your nearest **MANITOU** dealer:



Head office:  
B.P. 249 - 430 rue de l'Aubinière - 44158 Ancenis Cedex - France  
Tel: 00 33 (0)2 40 09 10 11 - Fax: 00 33 (0)2 40 09 10 97  
[www.manitou.com](http://www.manitou.com)



[facebook.com/manitou.official](https://facebook.com/manitou.official)