

---

TECHNICAL DATA SHEET

# **TMM** Range

**Masted mounted trucks**

---



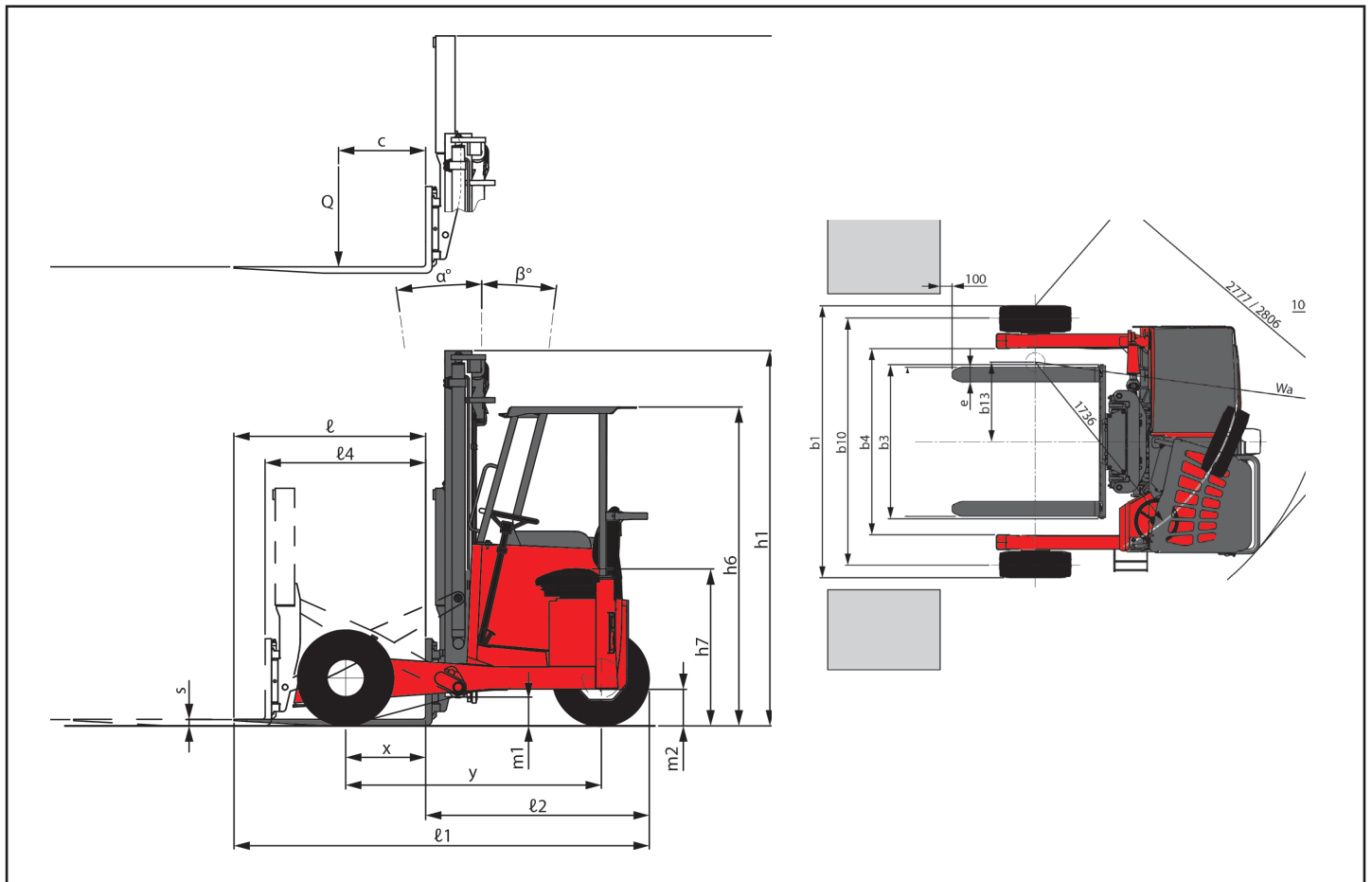
# 2 000 - 2 500 kg

## TECHNICAL SPECS

				MANITOU		
				TMM 20	TMM 25	
Specifications	1.1	Manufacturer			MANITOU	MANITOU
	1.2	Model			TMM 20	TMM 25
	1.3	Power source			Diesel	Diesel
	1.4	Driving position			Seated	Seated
	1.5	Nominal capacity	Q	kg	2000	2500
	1.6	Load - Centre of gravity	c	mm	600	600
	1.8	Distance from the load-bearing surface to centre of front axle	x	mm	500	500
	1.9	Wheelbase	y	mm	1598	1598
Weights	2.1	Operating weight		kg	2090	2340
	2.2	Axle load, with load, front / rear		kg	2900 / 1190	3585 / 1255
	2.3	Axle load, without load, front / rear		kg	900 / 1190	1085 / 1255
Tyres, frame	3.1	Tyre equipment : cushion (V), superelastic (SE), pneumatic (L)			Pneumatic	Pneumatic
	3.2	Size of front wheels			23x9-10 IC30	27x10-12 IC30
	3.3	Size of rear wheels			23x9-10 IC30	27x10-12 IC30
	3.5	Number of front wheels (x=drive wheel) / rear wheels			2x/1x	2x/1x
	3.6	Front wheel gauge (middle of wheels)	b10	mm	2103	2151
Dimensions	4.1	Tilt of mast forwards / backwards	a / $\beta$	deg.	8 / 7	8 / 7
	4.2	Height mast lowered	h1	mm	2352	2392
	4.4	Lift height*	h3	mm	3000	3000
	4.5	Height mast extended	h4	mm	4455	4495
	4.7	Height of overhead guard (cabin)	h6	mm	2080	2120
	4.19	Overall length	l1	mm	2598	2638
	4.20	Length at fork heels	l2	mm	1398	1438
	4.21	Total width (overall)	b1	mm	2323	2406
	4.22	Fork dimensions*	s / e / l	mm	170x55x1350	125x40x1200
	4.23	Fork carriage to DIN 15173 A/B			FEM2A	FEM2A
	4.24	Width of fork carriage	b3	mm	1260	1260
	4.26	Distance between support arms	b4	mm	1600	1600
	4.31	Ground clearance below mast	m1	mm	205	245
	4.32	Ground clearance at centre of wheel-base	m2	mm	230	270
	4.34	Width of aisle for pallet 800x1200 lengthways	Ast	mm	3363	3363
	4.35	Turning radius	Wa	mm	2463	2463
4.36	Inner turning radius	b13	mm	672	672	
Performances	5.1	Speed of travel laden / unladen		km/h	10 / 10	11,2/11,2
	5.2	Speed of rising movement laden / unladen		m/s	0,2 / 0,3	0,2 / 0,3
	5.3	Speed of lowering movement laden / unladen		m/s	0,2 / 0,4	0,2 / 0,4
	5.5	Nominal towing power laden / unladen		daN	2200	2200
	5.7	Gradeability with / without load		%	43 / 26	43 / 26
	5.10	Service brake			Hydraulic	Hydraulic
Engines	7.1	Engine Manufacturer / Type			Kubota V1505-E3B	Kubota V1505-E3B
	7.2	Power delivery		kW	26,5	26,5
	7.4	Nber of cylinders / Displacement		cm <sup>3</sup>	4 / 1498	4 / 1498
Miscellan.	8.2	Operating pressure for attachments		bar	190	190
	8.3	Oil flow for attachments		l/min	43	43
	8.4	Average noise level for the driver (in motion) measured / guaranteed		dB (A)	86	86

\* Other values are available

## DIMENSIONAL DRAWINGS



## MASTS AND RATED CAPACITIES

TMM 20			Total Visibility Duplex		
			DVT 30	DVT 36	DVT 39
h3	Lift height	mm	3000	3600	3900
h1	Height mast lowered	mm	2352	2702	2852
h4	Height mast extended	mm	4455	5055	5355
	Residual capacity with expander non-deployed (CDG=600mm)	kg	2000	2000	
	Residual capacity with expander deployed without stabilisers (Center of gravity = 600 mm)	kg	900	800	
	Residual capacity with expander deployed with stabilisers (Center of gravity = 600 mm)	kg	2000	2000	

TMM 25			Total Visibility Duplex		
			DVT 30	DVT 36	DVT 39
h3	Lift height	mm	3000	3600	3900
h1	Height mast lowered	mm	2392	2742	2892
h4	Height mast extended	mm	4495	5095	5395
	Residual capacity with expander non-deployed (CDG=600mm)	kg	2500	2500	
	Residual capacity with expander deployed without stabilisers (Center of gravity = 600 mm)	kg	900	800	
	Residual capacity with expander deployed with stabilisers (Center of gravity = 600 mm)	kg		2000	

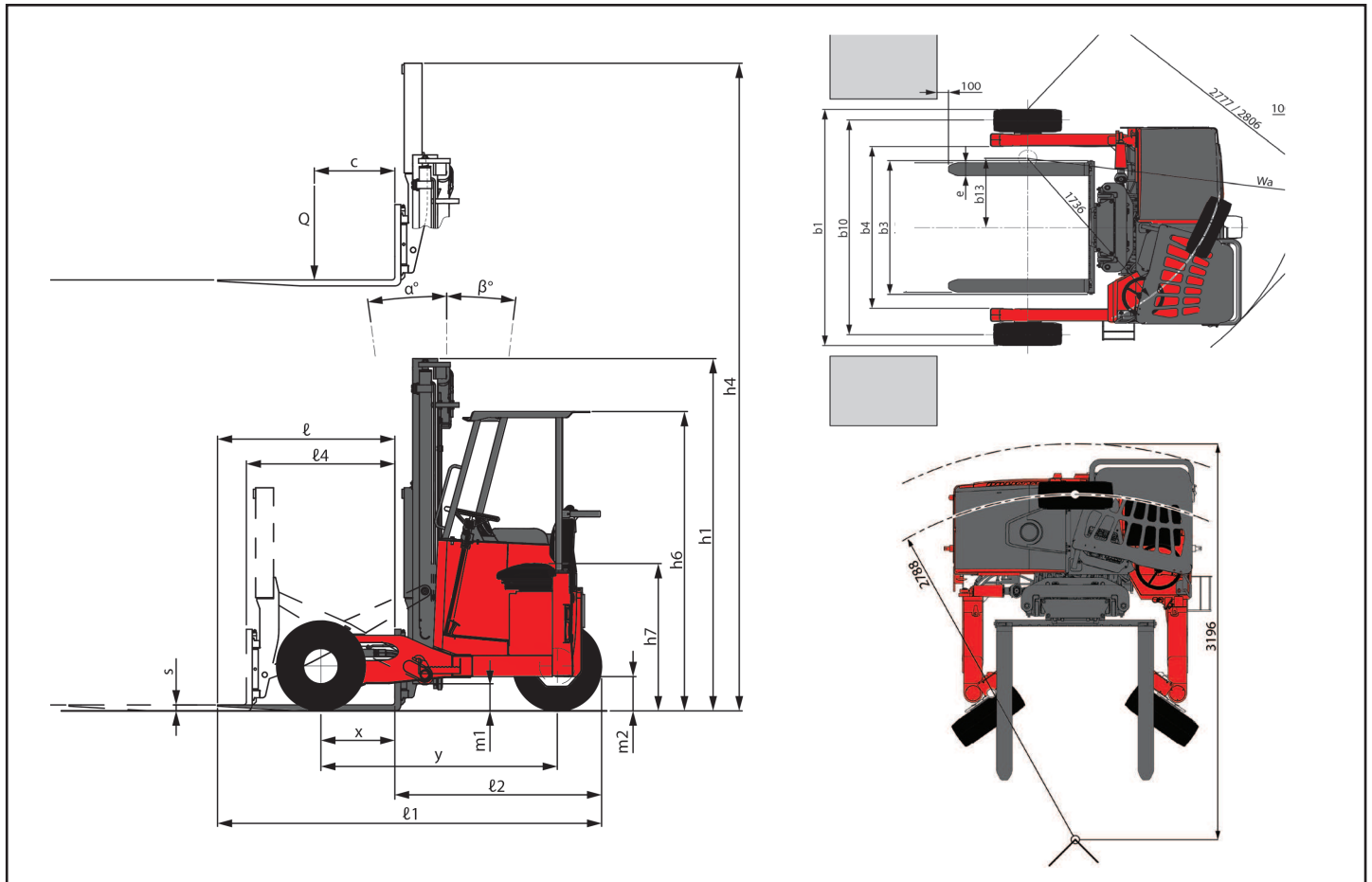
# 2 000 - 2 500 kg : 4-way

## TECHNICAL SPECS

				MANITOU		
				TMM 20-4W	TMM 25-4W	
Specifications	1.1	Manufacturer			MANITOU	MANITOU
	1.2	Model			TMM 20-4W	TMM 25-4W
	1.3	Power source			Diesel	Diesel
	1.4	Driving position			Seated	Seated
	1.5	Nominal capacity	Q	kg	2000	2500
	1.6	Load - Centre of gravity	c	mm	600	600
	1.8	Distance from the load-bearing surface to centre of front axle	x	mm	500	500
	1.9	Wheelbase	y	mm	1598	1598
Weights	2.1	Operating weight		kg	2250	2500
	2.2	Axle load, with load, front / rear		kg	3030 / 1220	3715 / 1285
	2.3	Axle load, without load, front / rear		kg	1030 / 1220	1215 / 1285
Tyres, frame	3.1	Tyre equipment : cushion (V), superelastic (SE), pneumatic (L)			Pneumatic	Pneumatic
	3.2	Size of front wheels			23x9-10 IC30	27x10-12 IC30
	3.3	Size of rear wheels			23x9-10 IC30	27x10-12 IC30
	3.5	Number of front wheels (x=drive wheel) / rear wheels			2x/1x	2x/1x
	3.6	Front wheel gauge (middle of wheels)	b10	mm	2095	2143
	Dimensions	4.1	Tilt of mast forwards / backwards	a / β	deg.	8 / 7
4.2		Height mast lowered	h1	mm	2352	2392
4.4		Lift height*	h3	mm	3000	3000
4.5		Height mast extended	h4	mm	4455	4495
4.7		Height of overhead guard (cabin)	h6	mm	2080	2120
4.19		Overall length	l1	mm	2598	2638
4.20		Length at fork heels	l2	mm	1398	1438
4.21		Total width (overall)	b1	mm	2315	2398
4.22		Fork dimensions*	s / e / l	mm	170x55x1350	125x40x1200
4.23		Fork carriage to DIN 15173 A/B			FEM2A	FEM2A
4.24		Width of fork carriage	b3	mm	1260	1260
4.26		Distance between support arms	b4	mm	1492	1492
4.31		Ground clearance below mast	m1	mm	205	245
4.32		Ground clearance at centre of wheel-base	m2	mm	230	270
4.34		Width of aisle for pallet 800x1200 lengthways	Ast	mm	3363	3363
4.35		Turning radius	Wa	mm	2463	2463
4.36		Inner turning radius	b13	mm	672	672
Performances		5.1	Speed of travel laden / unladen		km/h	10 / 10
	5.2	Speed of rising movement laden / unladen		m/s	0,2 / 0,3	0,2 / 0,3
	5.3	Speed of lowering movement laden / unladen		m/s	0,2 / 0,4	0,2 / 0,4
	5.5	Nominal towing power laden / unladen		daN	2300	2300
	5.7	Gradeability with / without load		%	43 / 26	43 / 26
	5.10	Service brake			Hydraulic	Hydraulic
Engines	7.1	Engine Manufacturer / Type			Kubota V1505-E3B	Kubota V1505-E3B
	7.2	Power delivery		kW	26,5	26,5
	7.4	Nber of cylinders / Displacement		cm <sup>3</sup>	4 / 1498	4 / 1498
Miscellan.	8.2	Operating pressure for attachments		bar	190	190
	8.3	Oil flow for attachments		l/min	43	43
	8.4	Average noise level for the driver (in motion) measured / guaranteed		dB (A)	86	86

\* Other values are available

## DIMENSIONAL DRAWINGS



## MASTS AND RATED CAPACITIES

TMM 20			Total Visibility Duplex		
			DVT 30	DVT 36	DVT 39
h3	Lift height	mm	3000	3600	3900
h1	Height mast lowered	mm	2352	2702	2852
h4	Height mast extended	mm	4455	5055	5355
Residual capacity with expander non-deployed (CDG=600mm)		kg	2000	2000	
Residual capacity with expander deployed without stabilisers (Center of gravity = 600 mm)		kg	1000	900	
Residual capacity with expander deployed with stabilisers (Center of gravity = 600 mm)		kg	2000	2000	

TMM 25			Total Visibility Duplex		
			DVT 30	DVT 36	DVT 39
h3	Lift height	mm	3000	3600	3900
h1	Height mast lowered	mm	2392	2742	2892
h4	Height mast extended	mm	4495	5095	5395
Residual capacity with expander non-deployed (CDG=600mm)		kg	2500	2500	
Residual capacity with expander deployed without stabilisers (Center of gravity = 600 mm)		kg	1000	900	
Residual capacity with expander deployed with stabilisers (Center of gravity = 600 mm)		kg	2000	2000	

Your nearest MANITOU dealer:



**Head office**

B.P. 249 - 430 rue de l'Aubinière - 44158 Ancenis Cedex - France

Tel: 00 33 (0)2 40 09 10 11 - Fax: 00 33 (0)2 40 09 10 97

[www.manitou.com](http://www.manitou.com)



This brochure describes versions and configuration options for Manitou products which may be fitted with different equipment. The equipment described in this brochure may be standard, optional or not available depending on version. Manitou reserves the right to change the specifications shown and described at any time and without prior warning. The manufacturer is not liable for the specifications given. For more information, contact your Manitou dealer. Non-contractual document. Product descriptions may differ from actual products. List of specifications is not comprehensive. The logos and visual identity of the company are the property of Manitou and may not be used without authorisation. All rights reserved. The photos and diagrams contained in this brochure are provided for information only.

MANITOU BF SA - Limited company with board of directors - Share capital: 39,547,824 euros - 857 802 508 RCS Nantes