

Technical sheet :

# MHT-X 860 S2

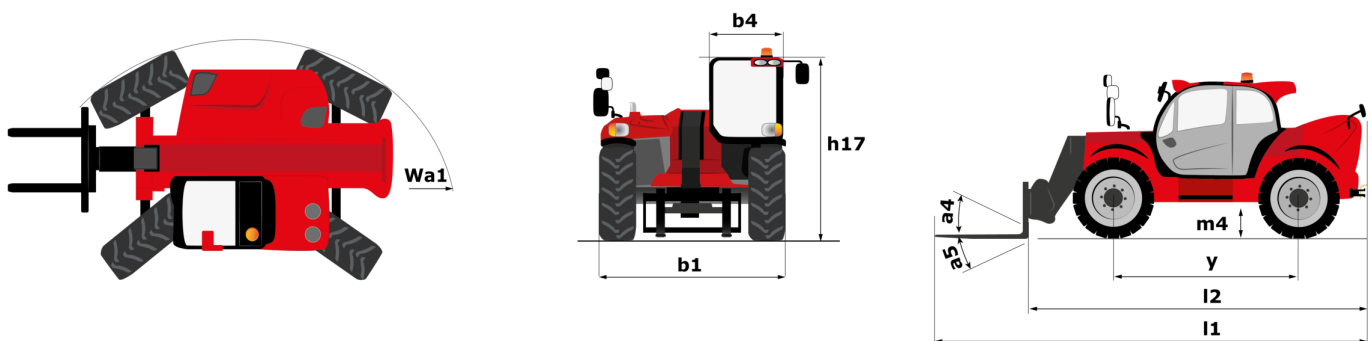
---



 **MANITOU**  
HANDLING YOUR WORLD

Capacities		Metric	Imperial
Max. capacity		6000 kg	13228 lb
Load center of gravity	c	600 mm	24 in
Max. lifting height		8.10 m	26 ft 7 in
Max. outreach		4.80 m	15 ft 9 in
Weight and dimensions			
Overall length	l1	5.36 m	17 ft 7 in
Unladen weight (with forks)		11600 kg	25574 lb
Ground clearance	m4	0.41 m	1 ft 4 in
Wheelbase	y	2.73 m	8 ft 11 in
Length to face of forks	l2	5.36 m	17 ft 7 in
Overall width	b1	2.40 m	7 ft 10 in
Overall height	h17	2.46 m	8 ft 1 in
Overall cab width	b4	0.86 m	2 ft 10 in
Tilt-down angle	a5	123 °	123 °
Tilt-up angle	a4	11 °	11 °
External turning radius (over tyres)	Wa1	5.20 m	17 ft 1 in
Outer turning radius (with forks)	b15	3.78 m	12 ft 5 in
Forks length / width / section	l / e / s	1200 mm x 200 mm / 60 mm	47 in x 8 in / 2 in
Frame leveling corrector	a9	8 °	8 °
Wheels			
Standard tires		Michelin - XF 1E TL - 18 R22.5	Michelin - XF 1E TL - 18 R22.5
Number of front wheels / rear wheels		2 / 2	2 / 2
Steering wheels (front / rear)		2 / 2	2 / 2
Drive wheels (front / rear)		2 / 2	2 / 2
Steering mode		2 wheel steer, 4 wheel steer, Crab mode	2 wheel steer, 4 wheel steer, Crab mode
Engine			
Engine brand		Perkins	Perkins
Engine norm		Stage IIIA	Stage IIIA
Engine model		1104D 44 T	1104D 44 T
Number of cylinders / Capacity of cylinders		4 - 4400 cm³	4 - 269 in³
I.C. Engine power rating / Power		101 Hp / 74.50 kW	101 Hp / 74.50 kW
Max. torque / Engine rotation		556 Nm@1400 rpm	410 ft/lbs@1400 rpm
Engine cooling system		Water	Water
Battery voltage		12 V	12 V
Drawbar pull		10130 daN	10130 daN
Transmission			
Transmission type		Hydrostatic	Hydrostatic
Number of gears (forward / reverse)		2 / 2	2 / 2
Max. travel speed		31 km/h	19 mph
Parking brake		Automatic Negative Hand-brake	Automatic Negative Hand-brake
Service brake		Hydraulic	Hydraulic
Hydraulics			
Hydraulic pump type		Variable displacement pump	Variable displacement pump
Hydraulic flow - Pressure		140 l/min - 275 bar	37 US gpm - 3989 PSI
Tank capacities			
Engine oil		7 l	2 US gal
Hydraulic oil		140 l	37 US gal
Fuel tank		120 l	32 US gal
Noise and vibration			
Noise at driving position (LpA)		80.80 dB	80.80 dB
Noise to environment (LWA)		105 dB	105 dB
Vibration on hands/arms		< 2.50 m/s²	< 2.50 m/s²
Miscellaneous			
Safety / Safety cab homologation		Standard EN 15000 - ROPS - FOPS level 2 cab	Standard EN 15000 - ROPS - FOPS level 2 cab
Controls		JSM	JSM
Attachment recognition system (E-Reco)		Standard	Standard

### MHT-X 860 S2 - Dimensional drawing





**Head Office**

B.P. 249 - 430 rue de l'Aubinière

44150 Ancenis Cedex - France

Tel: +33 (0)2 40 09 10 11 - Fax: +33 (0)2 40 09 10 97

[www.manitou.com](http://www.manitou.com)



This publication provides a description of the configuration versions and options for Manitou products, which may differ for equipment. The equipment presented in this brochure may be part of a series, as an option, or it may not be available, depending on the versions. Manitou reserves the right, at any time and without notice, to amend the specifications described and represented. The specifications provided do not bind the manufacturer. For more details, please contact your Manitou agent. This is not a contractually binding document. The presentation of the products is not contractually binding. List of specifications non-exhaustive. The logos as well as the visual identity of the company are owned by Manitou and cannot be used without authorisation. All rights reserved. The photos and diagrams contained in this brochure are only provided for consultation and information purposes.

MANITOU BF SA - Limited company with board of directors - Share capital: 39,668,399 euros - 857 802 508 RCS Nantes