

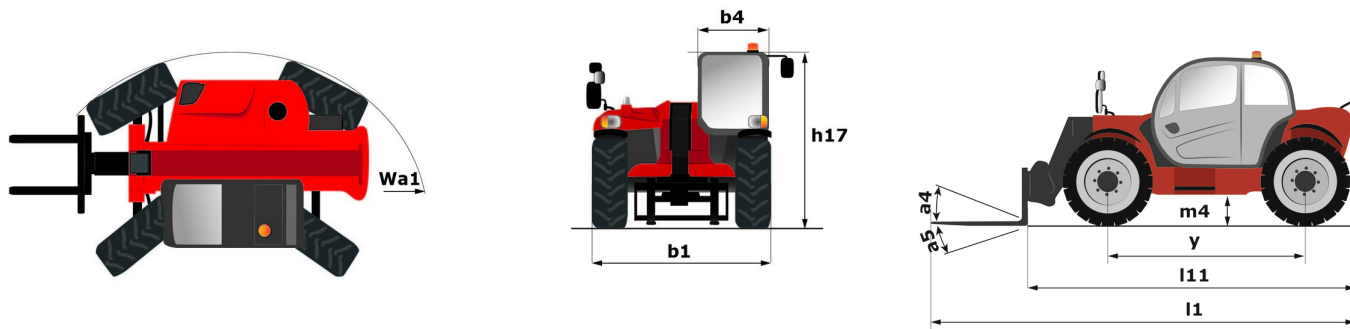
Technical sheet :

# MT 930 H



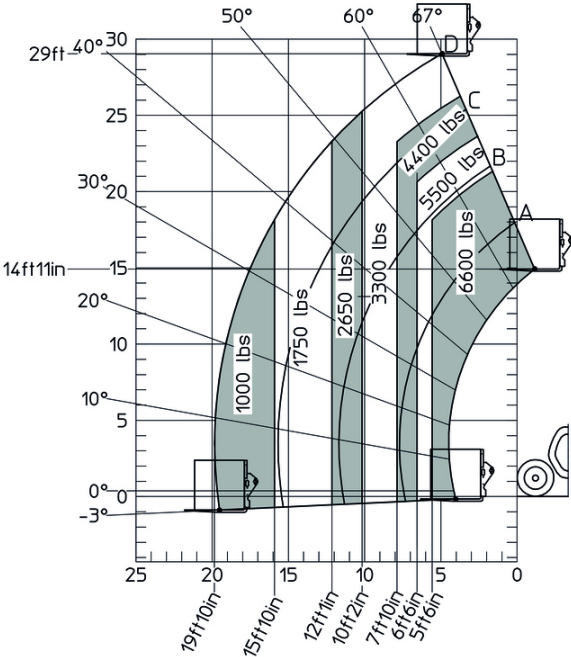
Capacities		Imperial
Max. capacity		6614 lb
Max. lifting height		29 ft
Max. outreach		19 ft 10 in
Weight and dimensions		
Overall length to carriage	l11	15 ft 4 in
Overall length (with forks)	l1	18 ft 11 in
Overall width	b1	6 ft 6 in
Overall height	h17	6 ft 6 in
Wheelbase	y	8 ft 10 in
Ground clearance	m4	1 ft 2 in
Overall cab width	b4	2 ft 7 in
Tilt-up angle	a4	11 °
Tilt-down angle	a5	116 °
External turning radius (over tyres)	Wa1	11 ft
Unladen weight (with forks)		14440 lb
Overall weight		14440 lb
Standard tires		ALLIANCE 380/75 R20 148A8 A580
Forks length / width / section	l / e / s	42 in x 4 in / 2 in
Performances		
Lifting		10.24 s
Lowering		7.95 s
Extension		9.89 s
Retraction		9.48 s
Crowd		3.06 s
Dump		2.44 s
Engine		
Engine brand		Kubota
Engine norm		Stage V
Engine model		V3307-CR-TEW05
Number of cylinders / Capacity of cylinders		4 - 203 in³
I.C. Engine power rating - Power		75 Hp / 54.60 kW
Max. torque / Engine rotation		194 ft/lbs @ 1400 rpm
Drawbar pull (Laden)		3860 daN
Transmission		
Transmission type		Hydrostatic
Number of gears (forward / reverse)		2 / 2
Max. travel speed		15 mph
Service brake		Hydraulic
Hydraulics		
Hydraulic pump type		Gear pump
Hydraulic flow / Pressure		23 US gpm-3553 PSI
Tank capacities		
Engine oil		3 US gal
Hydraulic oil		30 US gal
Fuel tank		24 US gal
Noise and vibration		
Noise at driving position (LpA)		74 dB
Noise to environment (LWA)		103 dB
Vibration on hands/arms		< 2.50 m/s²
Miscellaneous		
Steering wheels (front / rear)		2 / 2
Safety cab homologation		ROPS - FOPS level 2 cab

MT 930 H - Dimensional drawing



# MT 930 H - Load chart

Machine on tyres with forks Imperial





**Head Office**

B.P. 249 - 430 rue de l'Aubinière

44150 Ancenis Cedex - France

Tel: +33 (0)2 40 09 10 11 - Fax: +33 (0)2 40 09 10 97

[www.manitou.com](http://www.manitou.com)



This publication provides a description of the configuration versions and options for Manitou products, which may differ for equipment. The equipment presented in this brochure may be part of a series, as an option, or it may not be available, depending on the versions. Manitou reserves the right, at any time and without notice, to amend the specifications described and represented. The specifications provided do not bind the manufacturer. For more details, please contact your Manitou agent. This is not a contractually binding document. The presentation of the products is not contractually binding. List of specifications non-exhaustive. The logos as well as the visual identity of the company are owned by Manitou and cannot be used without authorisation. All rights reserved. The photos and diagrams contained in this brochure are only provided for consultation and information purposes.

MANITOU BF SA - Limited company with board of directors - Share capital: 39,668,399 euros - 857 802 508 RCS Nantes